



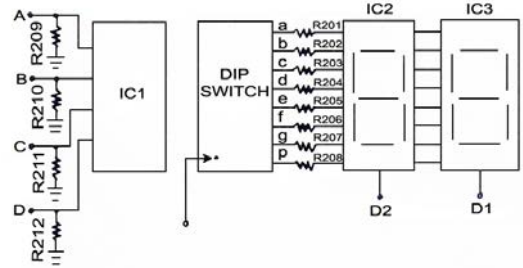
IDL-800A Digital Lab



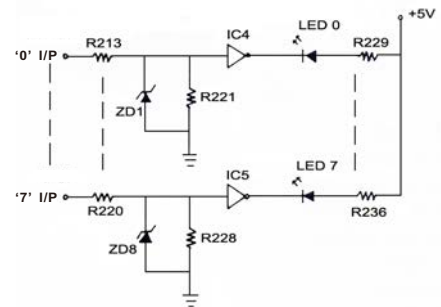
Specifications

- Solderless breadboard : AD-200
Interconnected nickel plated contact socket with a total of 1896 tie points fits all components with DIP size and solid wire in diameter of AWG #22-30 (0.3mm ~ 0.8mm)
- DC power supply
 - Variable DC power :
 - Positive output voltage : $0 \sim +15V \pm 10\%$
 - Negative output voltage : $0 \sim -15V \pm 10\%$
 - Max. output current : 300mA.
 - Fixed power supply :
 - Positive output voltage : $+5V \pm 10\%$
 - Max. output current : 1Amp.
 - Negative output voltage : $-5V \pm 10\%$
 - Max. output current : 100mA
- All DC power supplies with short circuit protection.
- Function generator :
 - Frequency ranges : 0.1 Hz ~ 2 Hz
(6 ranges)
 - 1 Hz ~ 20 Hz
 - 10 Hz ~ 200 Hz
 - 100 Hz ~ 2 KHz
 - 1 KHz ~ 20 KHz
 - 10 KHz ~ 200 KHz
 - Amplitude output
 - Sine wave : 0.1Hz ~ 200KHz, 20Vpp(Max.) ~ 12Vpp(Max.) $\pm 10\%$ variable.
 - Triangle wave : 0.1Hz ~ 200KHz, 20Vpp(Max.) ~ 9Vpp(Max.) $\pm 10\%$ variable.
 - Square wave : 0.1Hz ~ 200KHz, 20Vpp(Max.) $\pm 10\%$ variable.
 - TTL mode : $+5V \pm 10\%$
- Digital voltmeter :
 - 3½ digits LED display.
 - 4 ranges: 0 ~ 199.9V full scale
 - 0 ~ 19.99V full scale
 - 0 ~ 1.999V full scale
 - 0 ~ 199.9mV full scale
 - Input impedance : 10M Ω for any range.
- Universal counter
 - Frequency range : 1Hz ~ 99.999999MHz ;
10Hz ~ 100.00000MHz
 - Period range TH & TL : 0.01 μ s ~ 999999.99 μ s ;
1 μ s ~ 99999999 μ s
 - Input signal: TTL or CMOS level or any level ($V_{min} \geq +2.3V_p \pm 10\%$)
 - Display : 8-digit 7-segment LED display
 - Counter switch : External / internal

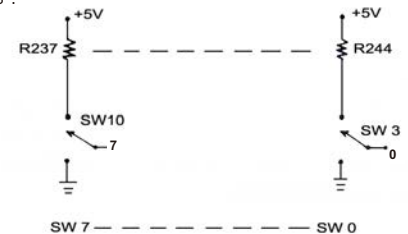
- Two digits of 7 segment LED display :
Common cathode operation



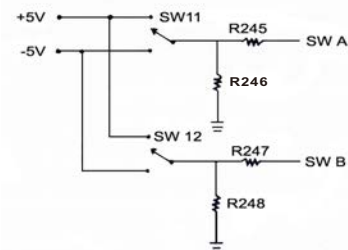
- Four point tip / banana socket / BNC socket exchange adapters
- Eight buffered LED displays :



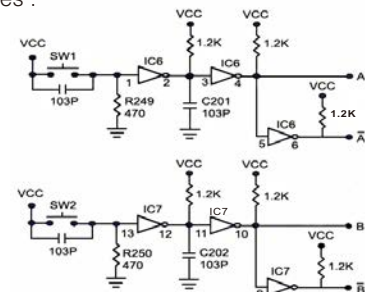
- Eight data switches :



- Two function switches :



- Two pulse switches :



- Dimensions : 420 x 360 x 200mm (L x W x H)
- Weight : 4.2kg